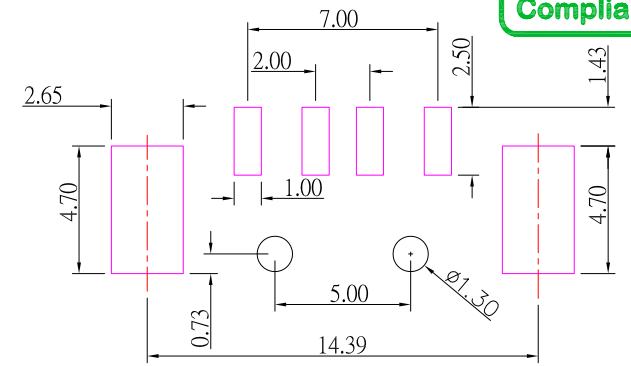
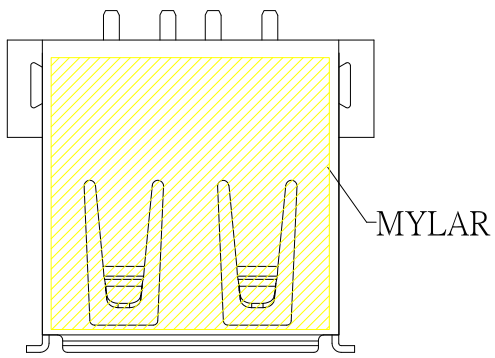


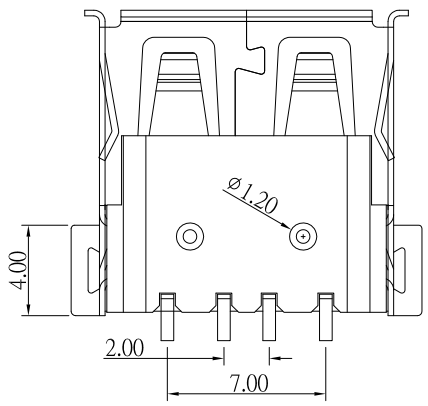
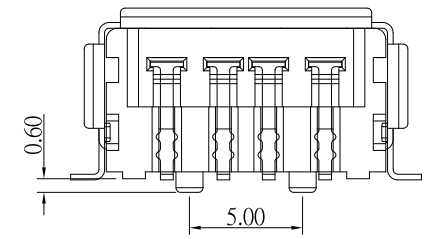
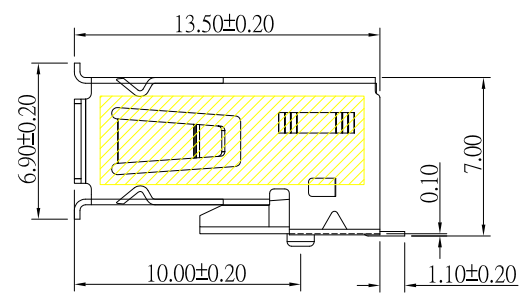
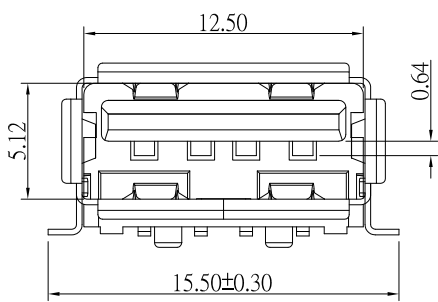
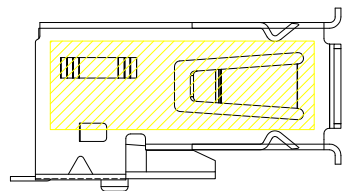


SUA-110M11C-x-S165

Color :
White : W
Black : B



PCB LAYOUT



SPECIFICATIONS

Electrical:

- 1.Current Rating: 1.5 AMP
- 2.Contact Resistance: 30 mΩ Max
- 3.Insulation Resistance: 1,000 MΩ Min
- 4.Dielectric Withstanding Voltage: 500 V AC

Material:

- 1.Housing: LCP
- 2.Contact: Brass
- 3.Shell: Brass

Finish:

- 1.Contact: Plated Gold in Mating Area ;
Tin Plated on Solder Balls ;
Nickel under plated overall
- 2.Shell: Nickel under Plated surface layer



TOLERANCE UNLESS OTHERWISE STATED :
Up to 5 ±0.2
Above 5 ~ 15 ±0.3
Above 15 ~ 30 ±0.4
Above 30 ~ 50 ±0.5
Angle ±0.3°

3RD. ANGEL'S



UNITS MM

DRAWN BY:	DATE	MAT'L	TITLE	CONNECTOR
Jack Lu	06/03/21		MODLE	USB AF 方耳柱1.2 柱距5.0
CHECKED BY:	DATE	FINISH	SCALE	1 : 1
Jacky Chen	06/03/21		DWG NO.	SUA-110M11C-x-S165
APPROVED BY:	DATE	SHEET NO.	PART NO.	SUA-110M11C-x-S165
Tony Kao	06/03/21	1 of 1		

ITEM NO.	DESCRIPTION	DRAWN	DATE